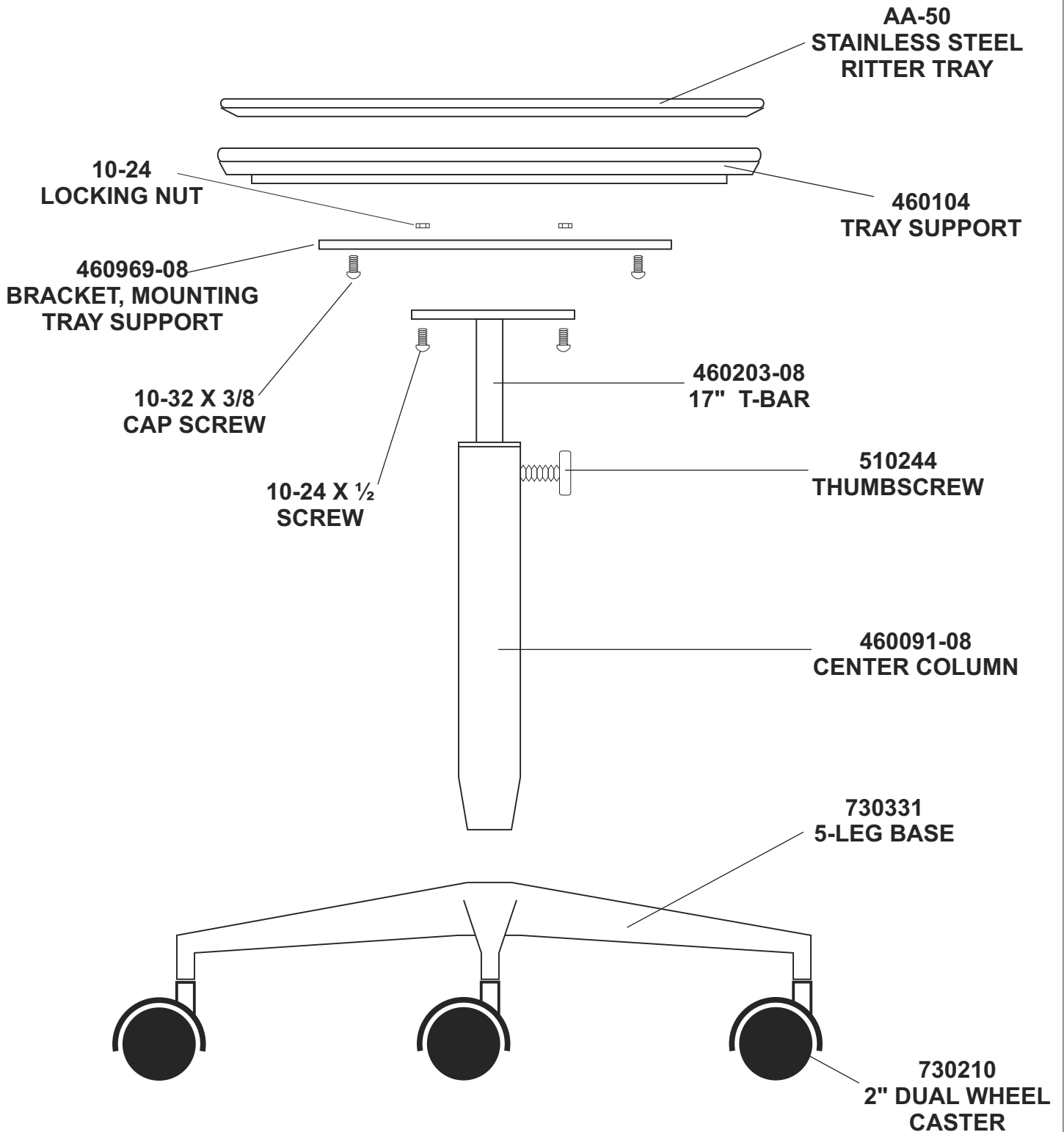


ATC-08A CART STAND



Aseptic

8333 216th Street SE • Woodinville, WA 98072
1-800-426-5913 • Fax: 425-487-2608
www.aseptic.com

P/N: 420544 • Rev. A • ECO 11089 • 10/2005