

OPERATION INSTRUCTIONS and PARTS LIST

ALU-29 ASEPTILIGHT OPERATING LIGHT



P.O. Box 1548, Woodinville WA 98072 • 8333 216th Street SE, Woodinville WA 98072
(425) 487-3157 • (800) 426-5913 • www.aseptico.com • info@aseptico.com

TABLE OF CONTENTS:

Introduction	1
Package Contents	1
Setting Up the Unit	2
Operation Functions	3
Maintenance	3
Troubleshooting	3
Parts List	4
Warranty	Back Cover

SPECIFICATIONS:

LAMP:	MR11, 20watt/12volt
LAMP LIFE:	2000 hrs. average life.
HEIGHT:	36-64 inches
ARM LENGTH:	32 inches
VOLTAGE:	110-120V, 50/60Hz (220V available)
FUSE:	.5 Amp, 5x20mm
WEIGHT:	15 LBS.

To prevent injury to people and damage to property, please heed relevant warnings and remarks. They are marked as follows:

WARNING: Serious injury or death may result if ignored.

CAUTION: Damage to property or the environment may result if ignored.

NOTE: Important additional information and hints.



P.O. Box 1548, Woodinville WA 98072
8333 216th Street SE, Woodinville WA 98072
International (425) 487-3157
Toll Free (800) 426-5913
www.aseptico.com • info@aseptico.com

Your new Aseptico ALU-29 AseptiLight is one of the finest lights available to the medical profession. This halogen operating light provides brilliant white light ensuring very natural color tones. In addition to the compact lamp head and the flexible gooseneck, the telescoping tripod stand and padded carrying case make this light highly portable.

Congratulations

Please read the instructions provided to receive the best and longest service from your Aseptico equipment.

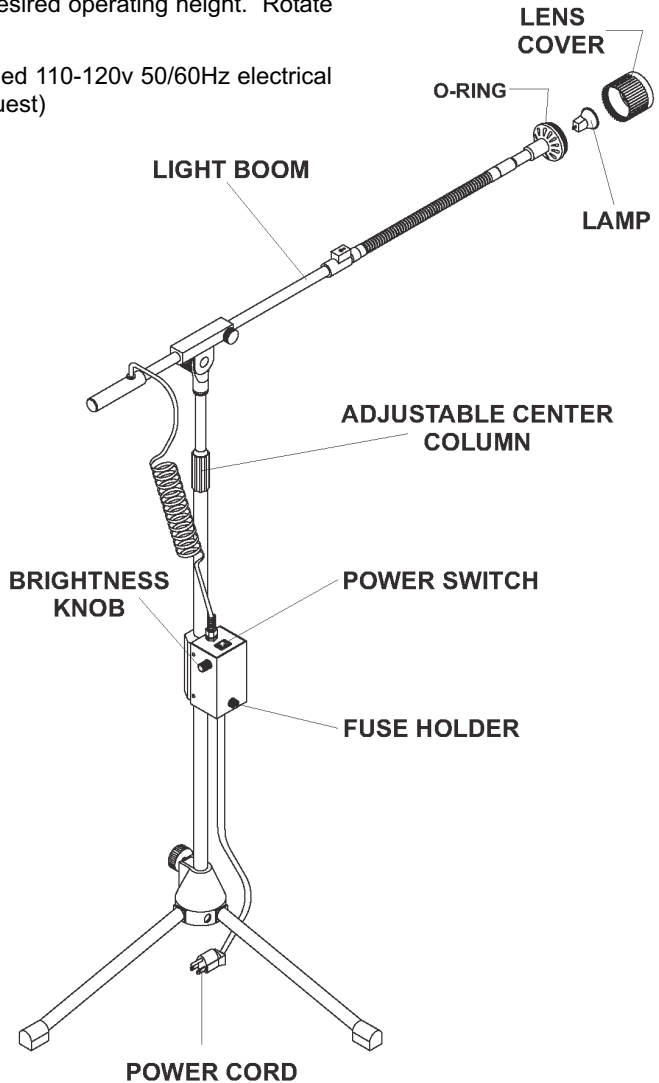
PACKAGE CONTENTS:

- ALU-29 Aseptilight Operating Light
- One (1) spare halogen bulb
- Soft padded carrying case
- Operation and Maintenance Manual



SETUP:

1. Remove the ALU-29 AseptiLight from its packing and carrying case. Unfold the tripod legs to a horizontal position, slide to the bottom of the center post, and secure in position by firmly tightening the thumb screw. Set light on a stable, even floor surface.
2. Loosen knob on horizontal boom and position where desired. Tighten to set. Rotate handle counterclockwise on telescoping center column and adjust to desired operating height. Rotate clockwise to secure.
3. Plug power cord into a grounded 110-120v 50/60Hz electrical outlet. (220V available on request)



OPERATION FUNCTIONS:

1. **POWER SWITCH-** On/Off control of ALU-29 AseptiLight. Lamp should light when turned on.
2. **BRIGHTNESS KNOB -** Provides variable intensity control of lamp. Turn clockwise to increase lamp intensity, and counterclockwise to decrease.

MAINTENANCE:

1. **LAMP REPLACEMENT-** Turn power off and unplug ALU-29 from power source. To replace lamp, unscrew lens cover from the front of light housing exposing the lamp. Pull the lamp straight out. Push a new lamp into the bi-pin socket. Replace lens cover.
Replacement Lamp: MR11, 20watt/12volt

NOTE: For longest lamp life, avoid touching the halogen bulb. Handle with tissue.

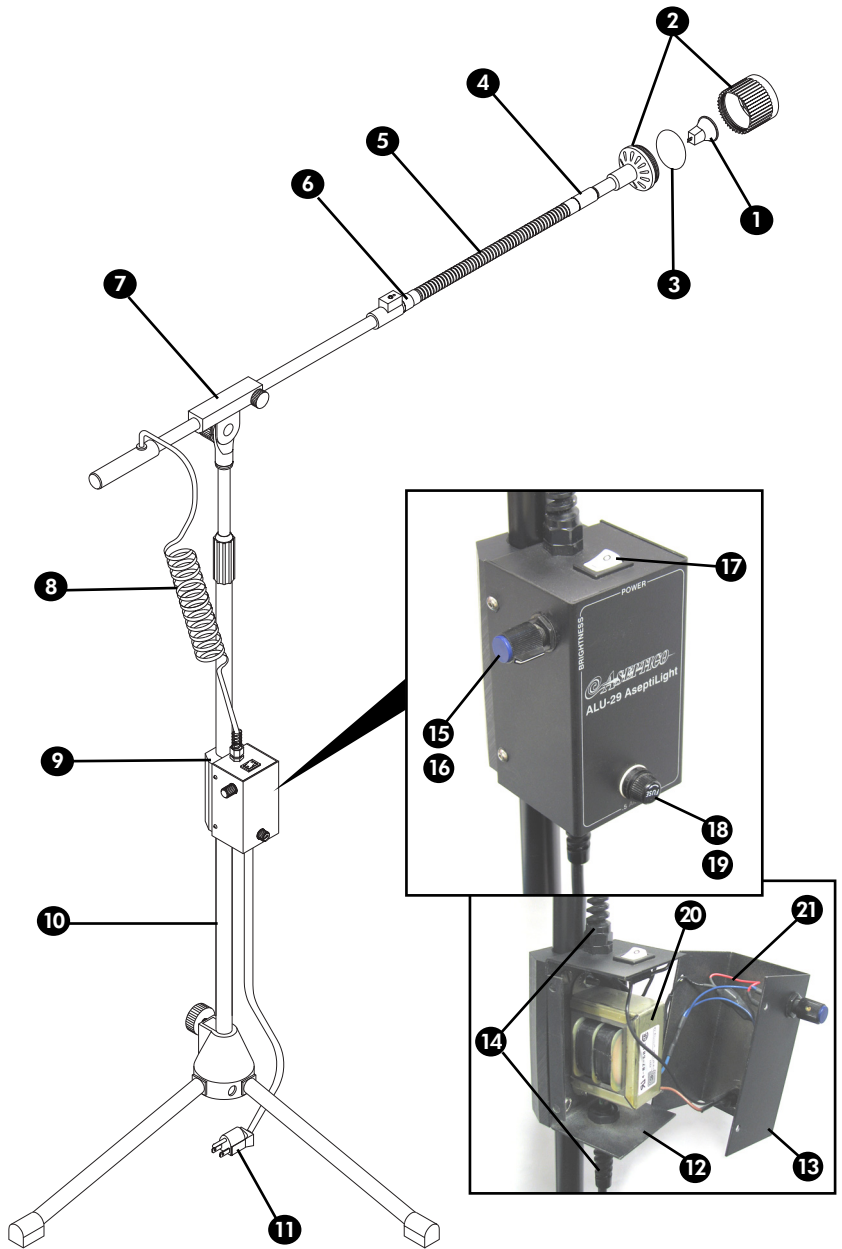
2. **FUSE REPLACEMENT-** To replace fuse, unscrew fuse holder cap on front of the electrical housing and install a new fuse. Replace cap. Fuse Type: .5 Amp, 5x20mm, Slo Blow

TROUBLESHOOTING:

1. If power is 'ON', but lamp does not light:
 - Turn intensity up.
 - Replace fuse, .5 Amp/5 x 20mm.
 - Replace lamp.
 - Check plug and electrical source.
2. If light intensity appears dimmer:
 - Turn intensity up.
 - Clean lens

ALU-29 AseptiLight PARTS LIST:

DIAGRAM NUMBER	PART NUMBER	QTY.	DESCRIPTION
1	820001	1	Lamp, MR11, 20W/12V Halogen
2	820002	1	Lamp Head, Base & Cover
3	820045	1	O-Ring, 2.0 OD x .093
4	460257-08	1	Adapter, G-neck/Lamp
5	730084	1	Gooseneck, 13" black
6	460258-08	1	Adapter, Boom/G-neck
7	460259	1	Boom, complete
8	870181	1	Cable, 3-conductor Coil
9	460329	1	Bracket, Nylon Mounting
10	730150	1	Stand, Black Folding
11	840004	1	Line Cord, Black, US
	840011	1	Line Cord, Black, UK
	840005	1	Line Cord, Black, EURO
12	460144-08	1	Chassis, Base
13	460102-08	1	Chassis, Top
14	840003	2	Strain Relief, Flex
15	850019	1	Knob, Black 1/4 insert
16	810123	1	Pot, 100K Linea
17	830002	1	Switch, Rocker SPST
18	830003	1	Fuse Holder, Panel Mount
19	830010	1	Fuse, 5x20mm 1/2 Amp
20	800008	1	Transformer, 115/12.6v, 2A
21	875045	1	Wiring Assy, 110V
	875066	1	Wiring Assy, 220V
NOT SHOWN	410084	1	Case, Custom Carrying



WARRANTY

Aseptico warrants its products against defects in material or workmanship for a period of one (1) year, from date of original invoice. Some handpieces are warranted for one year under the same conditions. Other handpieces and expendable components, such as air turbines and light bulbs, are covered by shorter warranty periods, or have no warranty. Aseptico's sole obligation under product warranty is (at its sole option and discretion) to repair or replace any defective component or product in part or whole. Aseptico shall be the sole arbiter of such action.

In the event of alleged defect under warranty, the purchaser is to notify Aseptico's Customer Service Department promptly. Customer Service will provide instructions, usually directing that the product be returned for service. Shipment to Aseptico and the cost thereof is always the responsibility of the purchaser.

Accidental misuse, inappropriate installation, or failure to perform directed maintenance voids the warranty.

Aseptico does not assume, under this warranty, any risks or liabilities arising from the clinical use of its products, whether or not such use involves coincidental utilization of products manufactured by others.

NOTE: In the interest of serving our customers more efficiently, customers receiving service on non-warranted repairs are expected to accept charges that are less than \$250.00 without further notification.

PN 420199
REV. H
ECO 11819
05/2008



P.O. Box 1548 • Woodinville, WA 98072
8333 216th Street SE • Woodinville, WA 98072
(425) 487-3157 • (800) 426-5913
www.aseptico.com • info@aseptico.com

PRINTED IN
THE U.S.A.