
OPERATION and MAINTENANCE INSTRUCTION MANUAL



AEU-400 ***TRANSPORT I***
ELEC-TECH SYSTEM



P.O. Box 1548 Woodinville, WA 98072-1548
1-800-426-5913 • 425-487-3157 • Fax: 360-668-8722
email: info@aseptico.com • Internet: www.aseptico.com

Your new Aseptico Transport I Portable Dental System is one of the finest units available to the dental profession. The system features a high torque brushless motor with digital R.P.M. Readout, 3-way syringe, saliva ejector vacuum, self contained water system, and an onboard compressor and vacuum pump.

Congratulations!

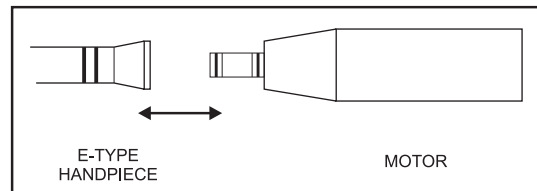
This system is engineered to provide many years of reliable service. Please read the instructions provided in this manual to receive the best and longest service from your Aseptico equipment.

Separate manuals may be provided to cover the operation and maintenance of handpieces or other accessories for your unit.

PACKAGE CONTENTS

- Electric Control Case/Console
- Remote Power Cord
- Autoclavable Brushless Micro Motor
- 3-Way Air/Water Syringe
- Saliva Ejector Vacuum Hoses
- Foot Control
- Water Supply Bottle
- Handpiece (Purchased seperately)

1. Unpack the console and check that voltage is proper. Use 110v for 110-120v 60Hz voltages, and the 220v for 220-250v 50Hz voltages. For alternative voltages (220V- 250V), confirm that the type of plug cap is correct for the country of usage and carries the proper certification markings. Correct cord is shipped with the console.
2. Attach the remote power cord to the lower front of the console and plug into a grounded electrical receptacle.
3. Connect the motor to the motor receptacle on the lower front panel of the console.
4. Attach the appropriate "E-Type" handpiece to the motor.
6. Attach the supplied foot control to the connector on the front of the unit marked "Foot Switch".
7. Detach the 3-way syringe from the travel clip and place it in the holder on the front of the unit.
9. Fill the clear water supply bottle with clean water and screw onto unit where marked "Reservoir Connect".
10. Place the waste tank in the unit. Connect the low volume vacuum (Saliva Ejector), filter drain, and filtered vacuum pump intake hoses to the quick disconnect fittings on the lid of the vacuum waste container. Secure tank by running bungee cord from hooks on bottom panel over waste tank lid.



1. **Power Switch**- Controls power on/off to system. When turned on, console should light up.
2. **RPM**- Controls speed of motor and handpiece. Push the up arrow to increase speed and the down arrow to decrease speed. A visual display shows actual RPM. Ratio selector must match exactly the ratio of the handpiece being used for complete accuracy. All settings are held in memory even after unit is turned off.
3. **Foward/Reverse**- Determines the rotation of the motor and handpiece. A red L.E.D. light and audible beeper indicate the reverse rotation.
4. **Ratio Selector**- Calibrates the RPM display to read accurately for up to four different handpiece ratios. Push the ratio up/down arrow until the indicator lights which matches the handpiece ratio you are using. Different handpiece ratios are required to obtain high torque, low speeds used in surgery. The speed ranges with a 30K motor are shown at right.

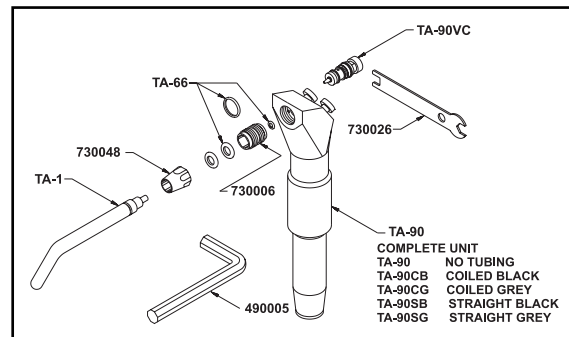
SPEED RANGES

4:1	20,000 - 120,000	RPM
1:1	4,000 - 30,000	RPM
1:4	1,000 - 7,500	RPM
1:16	300 - 1,800	RPM

5. **Three-way Air/Water Syringe**- The AEU-425 unit features a three-way air/water syringe with quick change autoclavable tips.

Changing the Tip- Pull the used tip straight out of the chrome hub nut. Insert the new tip, and push it in as far as it will go.

Syringe Tip Sterilization- Before sterilization, syringe tips should be thoroughly cleaned with a surgical soap. The tips should always be sterilized before use by means of steam autoclave, chemical vapor, dry heat, or ethylene oxide gas processes.



IMPORTANT

When changing the autoclavable syringe tip, be sure that the replacement tip is pushed **ALL THE WAY** into the syringe. Make it easy to insert a new tip by slightly lubricating with a silicone or handpiece lubricant.

6. **Foot Switch-** The foot switch provides on/off operation to the electric motor and water to the handpiece.
7. **Water Supply Tank-** The Aseptico AEU-400 incorporates a self contained pressurized water system. This consists of a 16oz. clear tank dispensing water through the 3-way syringe. The water tank attaches to the threaded reservoir connector, located below the pressure gauge in the AEU-400 case. Before removing the tank for refilling, it must be depressurized. Turn the Water Supply On/Off toggle off allowing pressure to release before unscrewing the water supply bottle. To fill the tank, release pressure, then unscrew bottle and fill with water. With gasket in place, screw bottle onto reservoir connector.
8. **Saliva Ejector Vacuum-** The AEU-400 Transport I is equipped with a low volume vacuum hose with automatic shut-off holder. Waste collects in the 1000ml plastic waste container. Lift the vacuum valve from its holder for operation. The vacuum pump will start and waste from the vacuum system will collect in the waste container. When the waste container is $\frac{3}{4}$ full it should be emptied. After each use the vacuum system should be cleaned by running clean water or a vacuum system cleanser through the evacuator hose and thoroughly cleaning the waste bottle. The vacuum lever valves snap apart at the swivel connector and may be autoclaved.

OPERATION

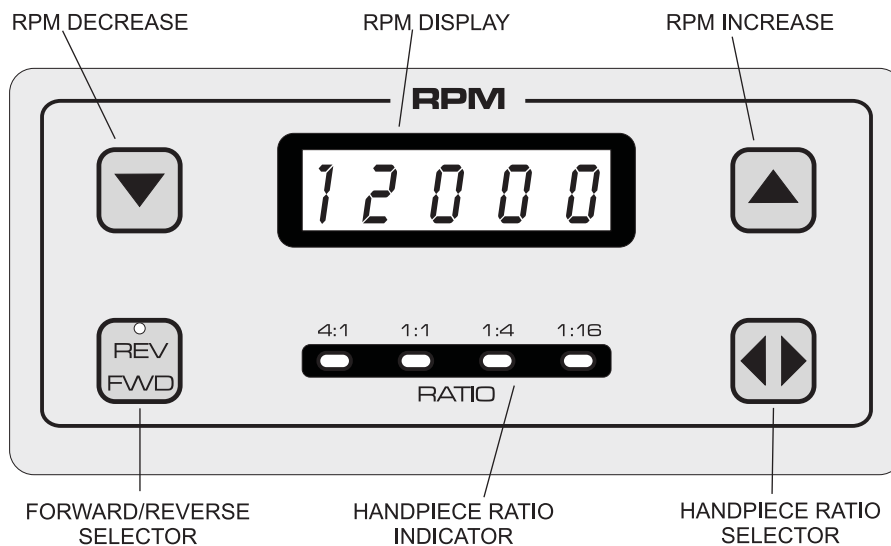
AEU-400 Transport I Manual

After the unit has been set up and you have made yourself familiar with the operation functions, you are ready for operation as follows:

1. Turn the power switch on the front of the console to the 'ON' position. The front panel display will light and the unit will pressurize.
2. Attach a sterile handpiece to the motor and set the Ratio Selector to match the gear ratio of the handpiece being used (i.e. 1:1 for a 1:1 handpiece, or 1:4 for a 1:4 handpiece).

3. Adjust the up/down arrows on the RPM display to the desired operating speed on the RPM readout.

NOTE: The RPM display indicates true bur speed when the Ratio Selector is in the appropriate position. Make sure the Ratio Selector matches the handpiece ratio for display accuracy.

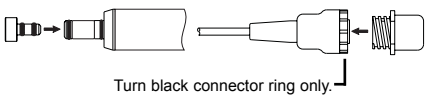


HANDPIECES- Thorough cleaning and lubrication of handpieces after each use and before sterilization is very important to ensure proper operation and service life of the handpiece. Follow the instructions provided with the handpiece purchased for complete maintenance instructions.

MOTORS- The entire motor assembly supplied with your unit may be sterilized by autoclave, chemclave, or ethylene oxide gas processes. Follow the sterilizer manufacturer's recommended procedure.

Before autoclaving the motor and cord assembly the 'E' type coupling on the motor must be plugged. A plug with sealing o-ring is supplied with the motor. Remove the handpiece from the motor and install plug as shown at right.

- Always install the autoclaving plug into motor and motor connector before autoclaving.



Turn black connector ring only.

- If the autoclaving plug for the motor becomes difficult to remove or install, apply silicone grease or similar lubricant to the o-rings.
- Loosely coil the motor cord when autoclaving. Avoid crowding the motor when autoclaving.

WARNING

- *DO NOT* attempt to disassemble the motor or motor connector.
- *DO NOT* oil or lubricate the motor.
- *DO NOT* attach a handpiece to the motor while the motor is running.
- *DO NOT* bend motor cord sharply.

Failure to comply with any of the above instructions may void your warranty.

CAUTION FOR ALL STERILIZATION:

- Do not exceed 133° C or 275° F.
- Do not submerge in any solutions.
- Do not use ultrasonic cleaners.



<i>Problem</i>	<i>Correction</i>
<p>Console does not light when turned on.</p>	<p>Check console to power connection. Check that voltage selector is set for the proper voltage. Check fuse. If blown, replace with 1A/250V slo-blo fuse for 110 volts, & 0.5 A/250V slo-blo fuse for 220 volts.</p>
<p>Console lights when turned on, but handpiece does not turn.</p>	<p>Check motor plug connection. Check foot switch connection. Depress foot switch. Increase RPM. Check that a bur is properly seated in the handpiece and the collet is closed.</p>
<p>Improper display.</p>	<p>Turn power switch off, wait 5 seconds, then turn back on to reset.</p>

WARRANTY

Aseptico warrants this product against defects in material or workmanship for a period of one year, from date of original invoice. Handpieces are warranted for 90 days under the same conditions. Expendable components such as light bulbs, are covered by shorter warranty periods, or are not warranted. Aseptico's sole obligation under product warranty is (at its sole option and discretion) to repair or replace any defective component or product in part or whole. Aseptico shall be the sole arbiter of such action.

In the event of alleged defect under warranty, the purchaser is to notify Aseptico's Customer Service Department promptly. Customer Service will provide instructions, usually directing that the product be returned for service. Shipment to Aseptico and the cost thereof is always the responsibility of the purchaser.

Accidental misuse, inappropriate installation, or failure to perform directed maintenance voids the warranty.

Aseptico does not assume, under this warranty, any risks or liabilities arising from the clinical use of its products, whether or not such use involves coincidental utilization of products manufactured by others.

Aseptico makes no warranty other than that stated above, express or implied.



P.O. Box 1548 Woodinville, WA 98072-1548
1-800-426-5913 • 425-487-3157 • Fax: 360-668-8722
email: info@aseptico.com • Internet: www.aseptico.com