

# OPERATION INSTRUCTION MANUAL

## ADU-07 ECONO AIR SYSTEM



 **Aseptic**<sup>®</sup>

Your new Aseptico ADU-07 Econo Air System is one of the finest handpiece control systems available to the professional. This economical system provides dental operatories, hygienists' rooms or satellite offices with two manually activated handpiece controls.

## *Congratulations!*

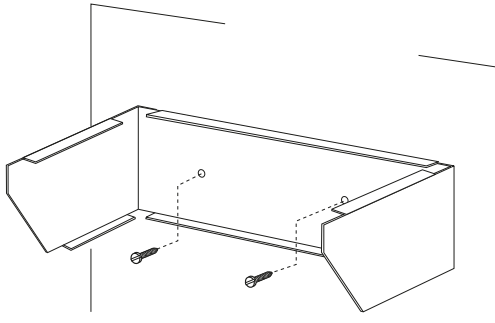
This system is engineered to provide many years of reliable service. Please read the instructions provided in this manual to receive the best and longest service from your Aseptico equipment.

---

### INSTALLATION:

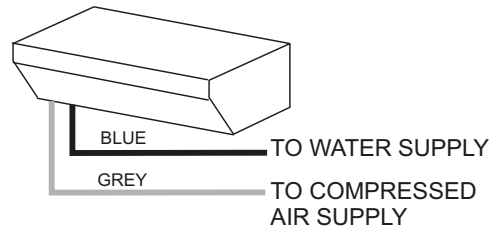
Before you install your ADU-07 unit, locate a suitable mounting surface that has access to a clean, filtered air and water supply.

1. Remove the chassis back from the front by unscrewing the 6-32 x 1/4 holding screws.
2. Use the mounting holes on the back of the chassis as a marking template and secure the chassis back to a flat vertical surface. Then reattach the front of chassis to the mounted back. (Fig. 1)



*Figure 1 - Chassis Mounting*

3. Locate the 1/4" grey air supply line and the blue water supply line exiting from beneath the ADU-07 console. Connect the grey air supply line to a clean regulated 60-90 PSI compressed air supply. Connect the blue water supply line to a clean regulated water source such as the tap water supply or a remote self-contained water system. (Fig. 2).

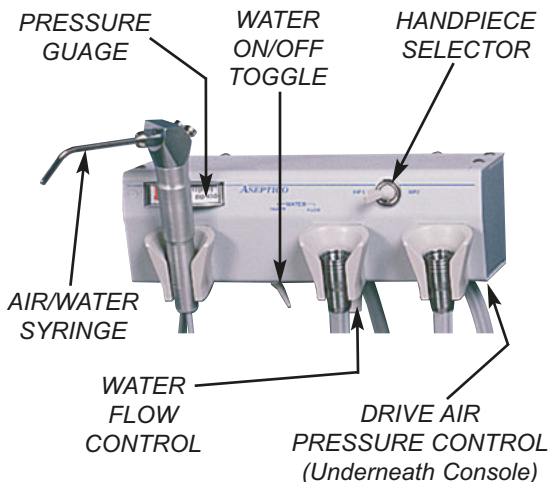


*Figure 2 - Water & Air Connections*

## OPERATION FUNCTIONS: (See Figure 3)

1. **Handpiece Selector** - Selects highspeed (HP1) or lowspeed (HP2) handpiece operation.
2. **Pressure Gauge** - Provides visual indication of drive air pressure for the handpiece in use.
3. **Drive Air Pressure Control** - Adjusts drive air pressure to the highspeed and lowspeed handpieces.
4. **Air/Water Syringe** - Delivers air, water, or a combination mist. Supplied with autoclavable tips.
5. **Water Flow Control** - Adjusts water coolant flow to the highspeed handpiece.
6. **Water On/Off Toggle** - Controls on/off flow of water coolant to the highspeed handpiece.
6. **Foot Control** (*not shown*) - Controls drive air pressure to the active handpiece. Apply light foot pressure to any part of the foot control cover.

Figure 3 - Console



## UNIT OPERATION:

1. **Handpieces** (*sold separately*) - Connect the proper highspeed and lowspeed handpieces to their appropriate connector. Switch the handpiece selector toggle to the desired handpiece. Depress foot control for operation.
2. **3-Way Air/Water Syringe** - Depress the right button for air operation, and the left button for water operation. Depressing both buttons will create a mist. The syringe features quick-change autoclavable tips: To remove a tip, press on the locking ring surrounding the tip socket and pull the used tip straight out of the socket (Fig. 4). To insert a new tip, press locking ring and push tip into socket as far as it will go. Release ring and gently tug on tip before using to ensure that tip is securely locked into socket.

### Syringe Tip Sterilization:

- 1) Remove contaminated syringe tip.
- 2) Remove all visible signs of contamination before autoclaving.
- 3) Autoclave tip at 132° C (270° F) for ten minutes.
- 4) Sterilize between each patient use.

**NOTE:** Since only the tips can be autoclaved, it is recommended that the air/water syringe be bagged with a disposable, single-use plastic sleeve between each patient use.



## WARRANTY:

Aseptico warrants its products against defects in material or workmanship for a period of two (2) years, from date of original invoice. Some handpieces are warranted for one year under the same conditions. Other handpieces and expendable components, such as air turbines and light bulbs, are covered by shorter warranty periods, or have no warranty. Aseptico's sole obligation under product warranty is (at its sole option and discretion) to repair or replace any defective component or product in part or whole. Aseptico shall be the sole arbiter of such action.

In the event of alleged defect under warranty, the purchaser is to notify Aseptico's Customer Service Department promptly. Customer Service will provide instructions, usually directing that the product be returned for service. Shipment to Aseptico and the cost thereof is always the responsibility of the purchaser.

Accidental misuse, inappropriate installation, or failure to perform directed maintenance voids the warranty. Deliberately defacing, modifying, or removing the serial number voids the warranty.

Aseptico does not assume, under this warranty, any risks or liabilities arising from the clinical use of its products, whether or not such use involves coincidental utilization of products manufactured by others.



P.O. Box 1548 Woodinville, WA 98072  
8333 216th Street SE Woodinville, WA 98072  
(425) 487-3157 (800) 426-5913  
[www.aseptico.com](http://www.aseptico.com) • [info@aseptico.com](mailto:info@aseptico.com)

P/N: 420423  
Rev. D  
ECO: 14684  
03/2019

PRINTED IN THE U.S.A.

