

OPERATION AND MAINTENANCE MANUAL

AseptiChair

Item ADC-01P-RED



Aseptico

P.O. Box 1548 • Woodinville, WA 98072-1548
1-800-426-5913 • 425-487-3157 • Fax: 360-668-8722
Email: info@aseptico.com • Internet: www.aseptico.com

TABLE OF CONTENTS

Introduction	3
Purpose	3
Performance Characteristics	3
Items Furnished	3
Operation Instructions	4
Chair Set-Up	4
Chair Adjustments	5
Collapsing the Chair	6
Cleaning & Maintenance	6
Parts List	8
Parts Diagram	9

TABLE OF ILLUSTRATIONS

Figure 1 - Leg Adjustment Pin Location	4
Figure 2 - Leg Adjustment Pin Placement	4
Figure 3 - Folding Out Foot/Leg Rest	4
Figure 4 - Arm Sling Pin Insertion	4
Figure 5 - Backrest adjustment	5
Figure 6 - Positioning footrest to vertical	5
Figure 7 - Parts Diagram	8

PURPOSE:

The ADC-01P-RED Portable Dental Chair provides adolescent patient seating for field dentistry and medical treatment. The ADC-01P-RED is fully adjustable from upright to supine positions. The ADC-01P-RED is built with a high strength steel frame and rugged replaceable vinyl coverings, allowing for long-term use.

PERFORMANCE CHARACTERISTICS:

Dimensions

Chair- Folded: 37" x 23" x 9.5"
Extended: 67" x 28" x 46"
Soft carrying case: 36" x 24" x 10"

Weight

Chair only: 30 lbs.
In soft carrying case: 34.5 lbs.
Maximum Load Capacity: Approx. 300 lbs.

Range of Positions

Minimum Seat Height: 11"
Maximum Seat Height: 22"
Backrest: Adjustable from upright (vertical) to supine (horizontal) positions
Footrest: Adjustable from upright (vertical) to supine (horizontal) positions

ITEMS FURNISHED

ADC-01P-RED Portable Dental Chair
Soft padded carrying case with handles
Operation and Maintenance Manual



Advena Ltd
Tower Business Centre, 2nd Flr,
Tower Street, Swatar, BKR 4013
Malta

CHAIR SET-UP:

1. Remove the chair from its carrying case and set it on the floor, legs down, in its folded position.
2. Rotate the chair up onto one side and remove the leg adjustment pins from their storage pouch underneath the chair seat. (Fig. 1)

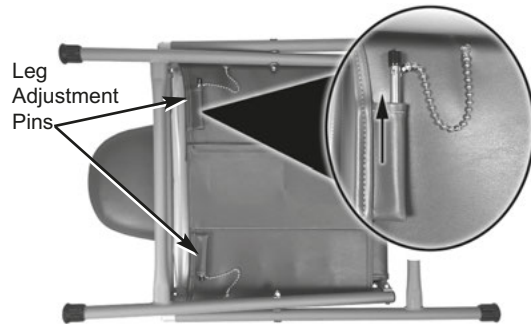


Figure 1 - Leg Adjustment Pin Location

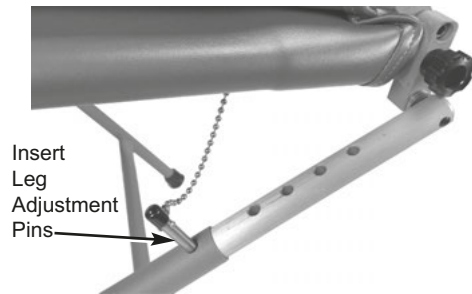


Figure 2 - Leg Adjustment Pin Placement

3. Standing in front of the chair, put your toe on one of the front chair legs and lift up on the backrest and front seat portion. Raise chair seat to desired height. Lock in place by inserting leg adjustment pins through chair leg tube and into adjustment link on the right and left side of the chair. (Fig. 2)

4. When the chair has been raised and the height set, the foot and leg portion should be folded forward, out horizontally. It will stop in the horizontal position. (Fig. 3)



Figure 3 - Folding Out Foot/Leg Rest

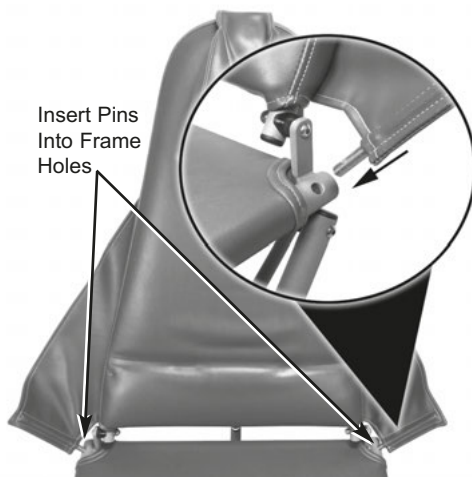


Figure 4 - Arm Sling Pin Insertion

5. Insert right and left arm sling pins into holes on the sides of the seat frame. (Fig. 4)
6. Complete set-up by positioning backrest and placing headrest at the proper height on the front side of backrest.

CHAIR ADJUSTMENTS:

1. **Seat Height-** The ADC-01P RED chair seat height can be set at any of the five preset settings. Without a patient in the chair, put your toe on one of the front chair legs and lift up slightly on the chair seat. While lifting and holding seat, remove the leg adjustment pin from the right and left side. Align link with tube hole in any of the five positions and lock in place by inserting the pin and chain assembly. (see Fig. 1)

2. **Backrest-** The backrest may be set in any position from upright to full supine. To change the position of the backrest, simply lift the chrome friction lever on the back side of the backrest, lower backrest, then release lever to lock.

WARNING

NEVER LOWER THE BACKREST WHEN A PATIENT IS IN THE CHAIR WITHOUT COMPLETELY SUPPORTING THEIR WEIGHT FIRST.

To return the backrest to an upright position, lift backrest to desired position. Backrest will automatically lock in place. (Fig. 5)

3. **Footrest-** The footrest may be positioned in the normal horizontal operating position, or allowed to hang down vertically so a patient can be seated in a sitting position. To release footrest into the vertical position, first fold toe section inward, then lift slightly on footrest section. While lifting, pull the black knobs on each side of the chair frame to release and push footrest down into the vertical position. Lock in the vertical position by snapping holding strap around the chair leg frame. To reposition footrest in the horizontal position, unsnap holding strap from frame, lift footrest to the horizontal position until it locks, then unfold toe section out to horizontal. (Fig. 6)

4. **Headrest-** The headrest slides freely on its mounting strap and can be positioned at different heights for different size patients.

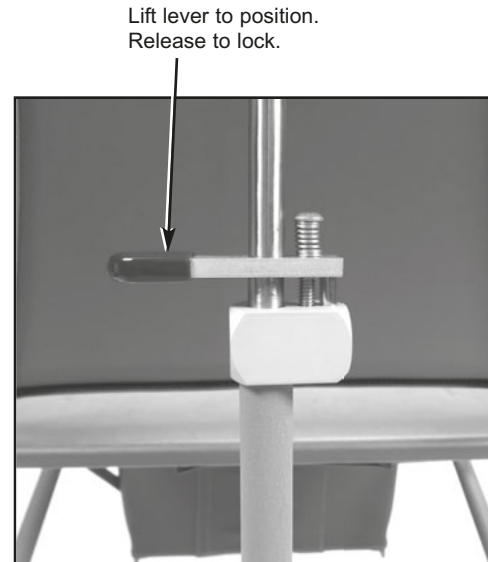


Figure 5 - Backrest adjustment

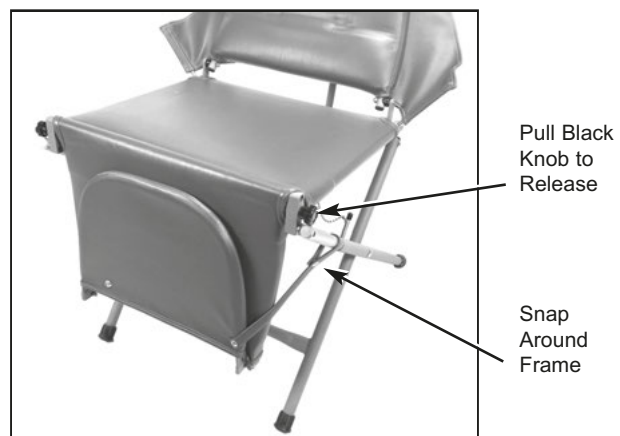


Figure 6 - Positioning footrest to vertical

COLLAPSING THE CHAIR:

WARNING

NEVER FORCE THE CHAIR INTO THE COLLAPSED POSITION. FORCING THE CHAIR DOWN WITHOUT RELEASING THE BACKREST ADJUSTMENT LEVER MAY BEND THE ADJUSTMENT ASSEMBLY AND WILL VOID THE WARRANTY.

1. Fold toe and then leg sections onto seat as it was originally stored.
2. Pull arm slings out of the holes in the chair frame.
3. Put your toe onto one of the front chair legs and lift up slightly on the seat, then remove height adjustment pins. While supporting chair weight, let the chair fold down toward the floor.
4. As the chair folds down, release the backrest adjustment lever until the chair collapses completely. Rotate the chair up onto one side and insert the leg adjustment pins into their storage pouch underneath the chair seat.
5. Fold the arm slings and headrest onto the chair and place folded chair into carrying case.

CLEANING AND MAINTENANCE:

Although bleach, when diluted to <10% and wiped clean immediately could be used, it is not recommended. The use of barrier covers and mild cleaning solutions is recommended as the primary asepsis approach on chair and stool upholstery instead of relying on chemicals. The use of barriers greatly extends the life of chair and stool upholstery and can be replaced between patients.

WARNING

NEVER SIT ON THE EDGE OF THE SITTING SURFACE. ALWAYS SIT IN THE CENTER OF THE SEAT.



NOTES

PARTS LIST

	Item	Part Number	Quantity
①	Seat Cover Assembly, ADC-01P-RED	460451-01	1
②	Armrest Right/Left, ADC-01P-RED	460447-01	1
③	Armrest Right/Left, ADC-01P-RED	460447-01	1
④	Cover, backrest, ADC-01P-RED	461845	1
⑤	Strap, headrest, ADC-01P-RED	461847	1
⑥	Screw, #8x5/8" Chrome SEMS	510239	8
⑦	Headrest, pillow assembly, ADC-01P-RED	461846	1
⑧	Armrest support rod assembly	460444-08	2
⑨	Tie Wrap, 30"	510135	6
⑩	Tie Wrap, 13"	510134	3
⑪	Strap, leg, ADC-01P-RED	461848	1
⑫	C/S, 1/4-20x1" BtnSoc S/S	510294	1
⑬	Hinge, back support	460382-08	1
⑭	Nut, 1/4-20 Nyloc S/S	510296	8
⑮	Back Support Assembly	330088	1
⑯	Leg adjustment link	460097-08	2
⑰	Hole plug, 1/4" black	510201	2
⑱	Endcap, 1" domed	850026	4
⑲	Leg Assembly, inside	330099	1
⑳	Leg Assembly, outside	330101	1
㉑	Bolt, 5/16-18 Grade 5 carriage	510242	2
㉒	Washer, 5/16 Flat S/S	510266	4
㉓	Nut, 5/16-18 Nyloc S/S	510126	2
㉔	Endcap, 1" insert	510204	2
㉕	C/S, 1/4-20x1-1/4" BtnSoc S/S	510295	3
㉖	Toe Frame Assembly	330091	1
㉗	Nut, 5/16-18 hex S/S	510103	2
㉘	Foam, seat pad	460576	1
㉙	Spring Pin, 1/4x3/4" S/S	510251	2
㉚	Leg Frame Assembly, compl	330093-08	1
㉛	Knob, 5/16-18 insert cornet	850025	2
㉜	Spring, .420Dx.038Wx.875L comp.	510233	2
㉝	C/S, 5/16-18x1-1/4" S/S	510050	2
㉞	C/S, 5/16-18x1" S/S	510048	4
㉟	SMS, PanPhl #6 x 5/8" Tapping	510362	2
㊱	Washer, 5/16 SAE S/S	510107	8
㊲	Seat Frame Assembly, compl	330097-08	1
㊳	Pin, leg adjustment assembly	460445-08	2
㊴	C/S, 1/4-20x1-3/4" BtnSoc S/S	510027	4
㊵	Hole plug, 3/4" black	510263	2
㊶	Backrest Frame Assembly, ADC-01P-RED	330561-01	1
㊷	Spacer, 1/4ID x 3/4OD Coved	510261-01	2
㊸	Spacer, 1/4ID x 3/4OD x .250 thick	510379	2
Not Shown	Case, grey carrying, w/Handles	410193	1
Not Shown	Backrest Assembly, ADC-01P-RED, compl	330562	1

PARTS DIAGRAM
Aseptic ADC-01P-RED
Portable Dental Chair

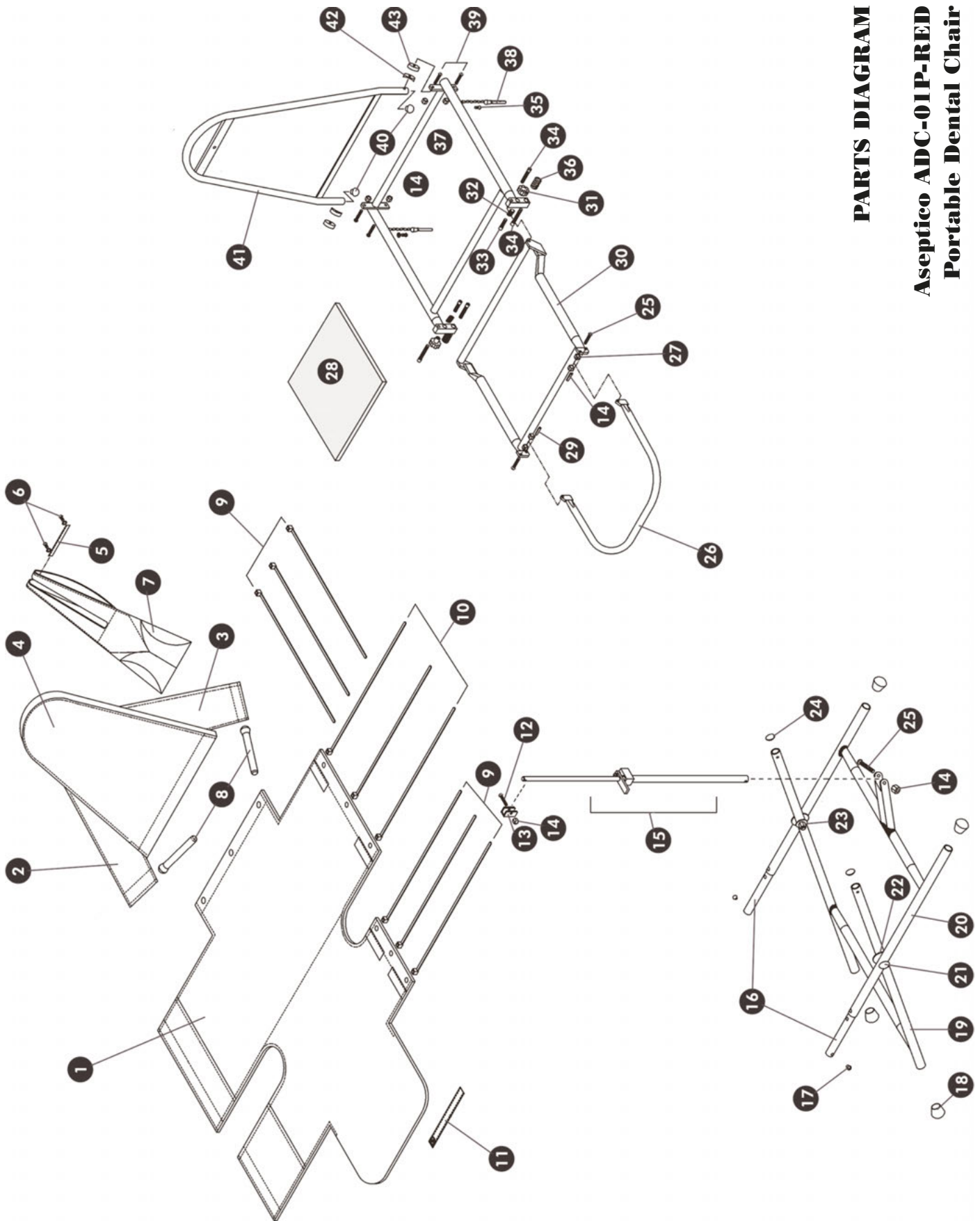


Figure 7 - Parts Diagram

WARRANTY

Aseptico warrants its products against defects in material or workmanship for a period of two (2) years, from date of original invoice. Some handpieces are warranted for one year under the same conditions. Other handpieces and expendable components, such as air turbines and light bulbs, are covered by shorter warranty periods, or have no warranty. Aseptico's sole obligation under product warranty is (at its sole option and discretion) to repair or replace any defective component or product in part or whole. Aseptico shall be the sole arbiter of such action.

In the event of alleged defect under warranty, the purchaser is to notify Aseptico's Customer Service Department promptly. Customer Service will provide instructions, usually directing that the product be returned for service. Shipment to Aseptico and the cost thereof is always the responsibility of the purchaser.

Accidental misuse, inappropriate installation, or failure to perform directed maintenance voids the warranty. Deliberately defacing, modifying, or removing the serial number voids the warranty.

Aseptico does not assume, under this warranty, any risks or liabilities arising from the clinical use of its products, whether or not such use involves coincidental utilization of products manufactured by others.



*P.O. Box 1548 • Woodinville, WA 98072-1548
1-800-426-5913 • 425-487-3157 • Fax: 360-668-8722
email: info@aseptico.com • Internet: www.aseptico.com*