
ADC-01CS

Portable Dental Chair

NSN: 6520-01-446-3783

COMMAND•AIR



**OPERATION / SERVICE
MANUAL & PARTS LIST**



TABLE OF CONTENTS

Introduction	3
Purpose	3
Performance Characteristics	3
Items Furnished	3
Operation Instructions	4
Chair Set-Up	4
Chair Adjustments	5
Collapsing the Chair	6
Cleaning & Maintenance	6
Parts List	7
Symbol Definitions	7
Parts Diagram	8

TABLE OF ILLUSTRATIONS

Figure 1 - Leg Adjustment Pin Location	4
Figure 2 - Leg Adjustment Pin Placement	4
Figure 3 - Folding Out Foot/Leg Rest	4
Figure 4 - Arm Sling Pin Insertion	4
Figure 5 - Backrest adjustment	5
Figure 6 - Positioning footrest to vertical	5
Figure 7 - Parts Diagram	8



PURPOSE:

The ADC-01CS Command Air Portable Dental Chair provides patient seating for field dentistry and medical treatment. The ADC-01CS is fully adjustable from upright to supine positions. The ADC-01CS is built with a high strength steel frame and rugged replaceable vinyl coverings, allowing for long-term deployment.

PERFORMANCE CHARACTERISTICS:

Dimensions

Chair- Folded: 37" x 23" x 9.5"

Extended: 72" x 28" x 46"

Soft carrying case: 38" x 24" x 11"

Mil. spec case: 39" x 30" x 16.5"

Mil. spec case volume: 11.17 Cu. Ft.

Weight

Chair only: 30 lbs.

In soft carrying case: 34.5 lbs.

In Mil. spec. case: 80 lbs.

Maximum Load Capacity: Approx. 300 lbs.

Range of Positions

Minimum Seat Height: 11"

Maximum Seat Height: 22"

Backrest: Adjustable from upright (vertical) to supine (horizontal) positions

Footrest: Adjustable from upright (vertical) to supine (horizontal) positions

ITEMS FURNISHED

ADC-01CF Command Air Portable Dental Chair

Soft padded carrying case with handles

Mil-spec hard shell case

Operation and Maintenance Manual

CHAIR SET-UP:

1. Remove the chair from its carrying case and set it on the floor, legs down, in its folded position.
2. Rotate the chair up onto one side and remove the leg adjustment pins from their storage pouch underneath the chair seat. (Fig. 1)

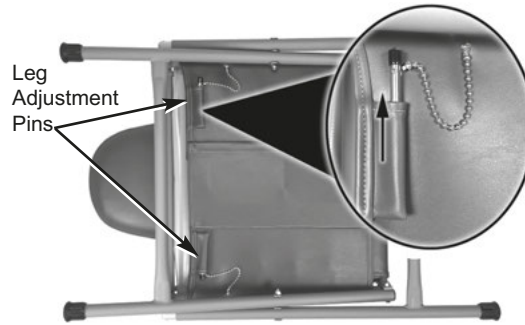


Figure 1 - Leg Adjustment Pin Location

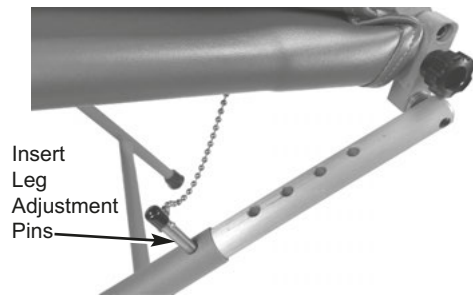


Figure 2 - Leg Adjustment Pin Placement

3. Standing in front of the chair, put your toe on one of the front chair legs and lift up on the backrest and front seat portion. Raise chair seat to desired height. Lock in place by inserting leg adjustment pins through chair leg tube and into adjustment link on the right and left side of the chair. (Fig. 2)
4. When the chair has been raised and the height set, the foot and leg portion should be folded forward, out horizontally. It will stop in the horizontal position. (Fig. 3)



Figure 3 - Folding Out Foot/Leg Rest

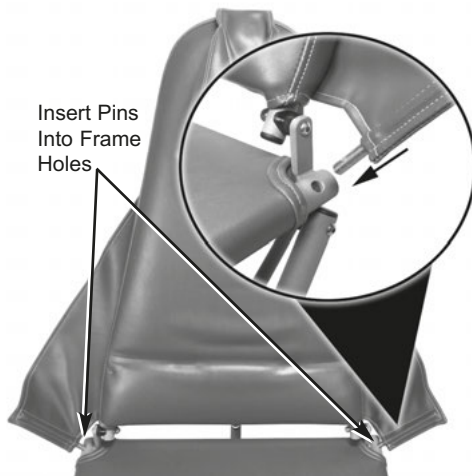


Figure 4 - Arm Sling Pin Insertion

5. Insert right and left arm sling pins into holes on the sides of the seat frame. (Fig. 4)
6. Complete set-up by positioning backrest and placing headrest at the proper height on the front side of backrest.

CHAIR ADJUSTMENTS:

1. Seat Height- The ADC-01 chair seat height can be set at any of the five preset settings. Without a patient in the chair, put your toe on one of the front chair legs and lift up slightly on the chair seat. While lifting and holding seat, remove the leg adjustment pin from the right and left side. Align link with tube hole in any of the five positions and lock in place by inserting the pin and chain assembly. (see Fig. 1)

2. Backrest- The backrest may be set in any position from upright to full supine. To change the position of the backrest, simply lift the chrome friction lever on the back side of the backrest, lower backrest, then release lever to lock.

WARNING

NEVER LOWER THE BACKREST WHEN A PATIENT IS IN THE CHAIR WITHOUT COMPLETELY SUPPORTING THEIR WEIGHT FIRST.

To return the backrest to an upright position, lift backrest to desired position. Backrest will automatically lock in place. (Fig. 5)

3. Footrest- The footrest may be positioned in the normal horizontal operating position, or allowed to hang down vertically so a patient can be seated in a sitting position. To release footrest into the vertical position, first fold toe section inward, then lift slightly on footrest section. While lifting, pull the black knobs on each side of the chair frame to release and push footrest down into the vertical position. Lock in the vertical position by snapping holding strap around the chair leg frame. To reposition footrest in the horizontal position, unsnap holding strap from frame, lift footrest to the horizontal position until it locks, then unfold toe section out to horizontal. (Fig. 6)

4. Headrest- The headrest slides freely on its mounting strap and can be positioned at different heights for different size patients.



Figure 5 - Backrest adjustment

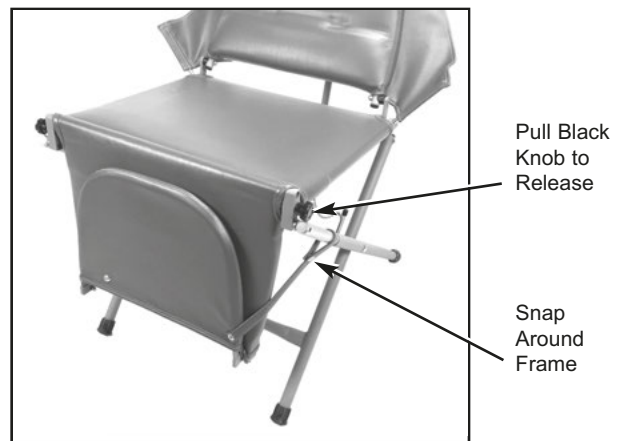


Figure 6 - Positioning footrest to vertical

COLLAPSING THE CHAIR:

⚠ CAUTION

NEVER FORCE THE CHAIR INTO THE COLLAPSED POSITION. FORCING THE CHAIR DOWN WITHOUT RELEASING THE BACKREST ADJUSTMENT LEVER MAY BEND THE ADJUSTMENT ASSEMBLY AND WILL VOID THE WARRANTY.

1. Fold toe and then leg sections onto seat as it was originally stored.
2. Pull arm slings out of the holes in the chair frame.
3. Put your toe onto one of the front chair legs and lift up slightly on the seat, then remove height adjustment pins. While supporting chair weight, let the chair fold down toward the floor.
4. As the chair folds down, release the backrest adjustment lever until the chair collapses completely. Rotate the chair up onto one side and insert the leg adjustment pins into their storage pouch underneath the chair seat.
5. Fold the arm slings and headrest onto the chair and place folded chair into carrying case.

CLEANING AND MAINTENANCE:

Although bleach, when diluted to <10% and wiped clean immediately could be used, it is not recommended. The use of barrier covers and mild cleaning solutions is recommended as the primary asepsis approach on chair and stool upholstery instead of relying on chemicals. The use of barriers greatly extends the life of chair and stool upholstery and can be replaced between patients.

⚠ WARNING

NEVER SIT ON THE EDGE OF THE SITTING SURFACE. ALWAYS SIT IN THE CENTER OF THE SEAT.



SYMBOL DEFINITIONS



WARNING – Serious damage, injury or death may result if ignored.



CAUTION – Damage to property, the environment or injury may result if ignored.



Manufacturer



Serial number



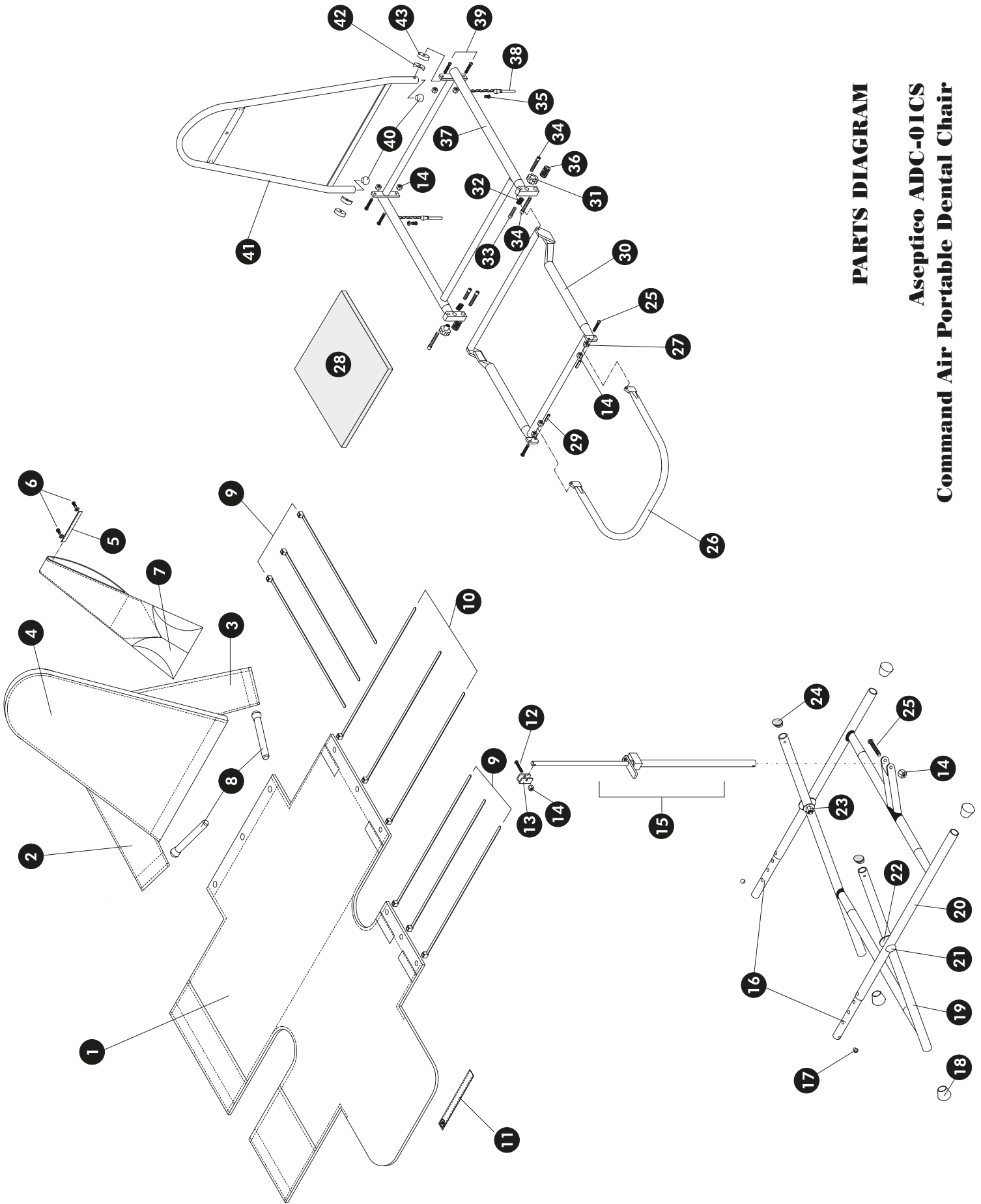
Do not sit on leg panel or foot panel.



Authorized European Representative

PARTS LIST

	Item	Part Number	Quantity
①	Seat Cover Assembly	460451	1
②	Armrest, right/left	460447	1
③	Armrest, right/left	460447	1
④	Cover, backrest	460462	1
⑤	Strap, headrest	460449	1
⑥	Screw, #8x5/8" Chrome SEMS	510239	8
⑦	Headrest, pillow assembly	460450	1
⑧	Armrest support rod assembly	460444-08	2
⑨	Tie Wrap, 30"	510135	6
⑩	Tie Wrap, 13"	510134	3
⑪	Strap, leg	460448	1
⑫	C/S, 1/4-20x1" BtnSoc S/S	510294	1
⑬	Hinge, back support	460382-08	1
⑭	Nut, 1/4-20 Nyloc S/S	510296	8
⑮	Back Support Assembly	330088	1
⑯	Leg adjustment link	460097-08	2
⑰	Hole plug, 1/4" black	510201	2
⑱	Endcap, 1" domed	850026	4
⑲	Leg Assembly, inside	330099	1
⑳	Leg Assembly, outside	330101	1
㉑	Bolt, 5/16-18 Grade 5 carriage	510242	2
㉒	Washer, 5/16 Flat S/S	510266	4
㉓	Nut, 5/16-18 Nyloc S/S	510126	2
㉔	Endcap, 1" insert	510204	2
㉕	C/S, 1/4-20x1-1/4" BtnSoc S/S	510295	3
㉖	Toe Frame Assembly	330091	1
㉗	Nut, 5/16-18 hex S/S	510103	2
㉘	Foam, seat pad	460576	1
㉙	Spring Pin, 1/4x3/4" S/S	510251	2
㉚	Leg Frame Assembly, complete	330093-08	1
㉛	Knob, 5/16-18 insert cornet	850025	2
㉜	Spring, .420Dx.038Wx.875L comp.	510233	2
㉝	C/S, 5/16-18x1-1/4" S/S	510050	2
㉞	C/S, 5/16-18x1" S/S	510048	4
㉟	SMS, PanPhl #6 x 5/8" Tapping	510362	2
㊱	Washer, 5/16 SAE S/S	510107	8
㊲	Seat Frame Assembly, complete	330097-08	1
㊳	Pin, leg adjustment assembly	460445-08	2
㊴	C/S, 1/4-20x1-3/4" BtnSoc S/S	510027	4
㊵	Hole plug, 3/4" black	510263	2
㊶	Backrest Frame Assembly	330089	1
㊷	Spacer, 1/4ID x 3/4OD Coved	510261	2
㊸	Spacer, 1/4ID x 3/4OD x .250 thick	510379	2
Not Shown	Case, carrying w/handles	410193	1
Not Shown	Case, green carrying Mil-Spec.	410100	1
Not Shown	Backrest Assembly Complete	330090	1



PARTS DIAGRAM
Asepico ADC-01CS
Command Air Portable Dental Chair

Figure 7 - Parts Diagram

NOTES

A series of horizontal dashed lines for writing notes.

P/N 420174
Rev. H
ECO 14925
02/2020



*P.O. Box 1548 • Woodinville, WA 98072-1548
1-800-426-5913 • 425-487-3157 • Fax: 360-668-8722
email: info@aseptico.com • Internet: www.aseptico.com*