
ADC-09CF

Portable Hydraulic Dental Stool Kit

NSN: 6520-01-652-9171



ADC-09S

Portable Hydraulic Dental Stool



**OPERATION MANUAL
& PARTS LIST**

 **Aseptico®**

ADC-09CF / ADC-09S

TABLE OF CONTENTS:

Introduction	2
Safety Precautions	3
Setup Instructions	4
Operation	5
Disassembly & Repacking	6
Parts Lists	8
Troubleshooting Guide	10
Symbol Definitions	10
Cleaning	11
Specifications	11
Warranty & Repairs	11

FEATURES:

- Easy and quick set-up
- Adjustable seat height: 18.75" to 26.25" (47.6 to 66.7 cm)
- Maximum load capacity: 300 lb (136 kg)
- Quality vinyl covering
- Locking casters
- Disassembles into three (3) components for easy storage and transport
- High-strength steel frame
- Made in the USA

Congratulations!

The Aseptico portable hydraulic dental stool provides seating for a doctor or assistant during field dentistry and medical treatments. The adjustable seat height and padded upholstery make this stool comfortable for extended use, while its light weight ensures maximum portability. The high-strength steel frame and rugged construction ensure years of reliable service.

Please read the instructions provided in this manual to receive the best and longest service from your Aseptico equipment.

ITEMS FURNISHED:

ADC-09CF

- Two (2) Portable Hydraulic Dental Stools
- Two (2) Soft padded cases
- One (1) Mil-spec hard shell case
- One (1) Operation Manual & Parts List

ADC-09S

- One (1) Portable Hydraulic Dental Stool
- One (1) Soft padded case
- One (1) Cardboard box
- One (1) Operation Manual & Parts List

ADC-09CF / ADC-09S

To prevent injury to people and damage to property, please heed relevant warnings and remarks. They are marked as follows:

WARNING: Serious injury may result if ignored.

CAUTION: Damage to property or the environment may result if ignored.

NOTE: Important additional information and hints.



SAFETY PRECAUTIONS:

Aseptico accepts no liability for direct or consequential injury or damage resulting from improper use, arising in particular through the non-observance of the operating instructions, or improper preparation and maintenance of this product.

WARNING: Use for intended purposes only. Failure to observe the operating instructions may result in the user suffering serious injury. Before using this product, make sure that you have studied and understood the operating instructions.

WARNING: Never sit on the edge of the stool seat -- always sit in the center of the seat.

CAUTION: Before using the Stool, ensure that the seat and base latches have securely locked the seat, gas cylinder, and base components together.

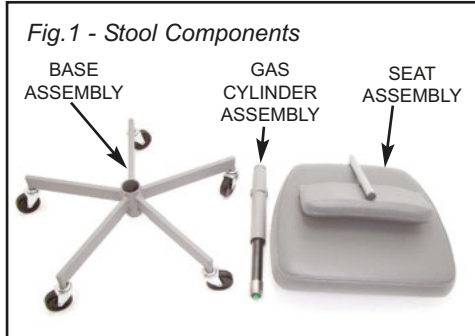
CAUTION: Do not disassemble or alter the gas cylinder assembly.

CAUTION: All repairs are to be performed by authorized Aseptico service personnel only.

ADC-09CF / ADC-09S

SETTING UP THE STOOL:

1. Remove the stool components from the soft case. Note that the Gas Cylinder is stowed on the bottom of the Seat in a protective vinyl sleeve. Place your hand under the wide (front) edge of the Seat while lifting to keep the Gas Cylinder from falling and causing injury.



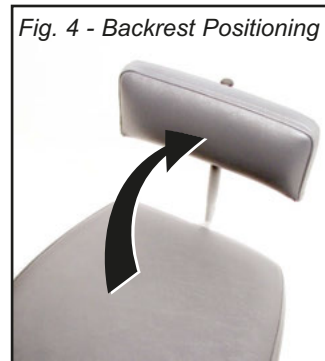
2. Remove Gas Cylinder from vinyl sleeve and place the small end in the socket on the bottom of the Seat Assembly (Fig. 2). Lift slightly to check that Seat Latch holds the Gas Cylinder.



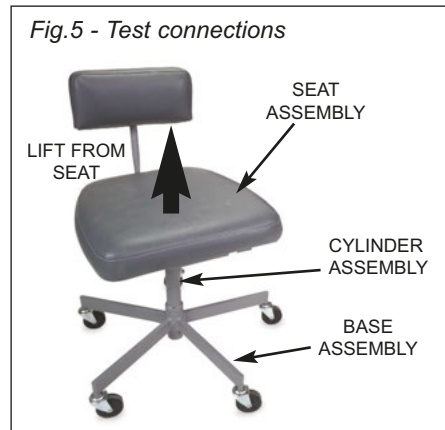
3. Turn Seat and Gas Cylinder Assembly over and insert bottom of Gas Cylinder into socket in center of Base. Straighten the Gas Cylinder as required to have it seat all the way into the Base then pull the ring on the Base Latch until the Gas Cylinder drops in place; release the Base Latch ring (Fig. 3).



4. Rotate the Backrest to the upright position (Fig 4).



5. Before using, lift the stool from the Seat to check that all three components are latched together (Fig. 5).



ADC-09CF / ADC-09S

OPERATING THE STOOL:

1. RAISING THE SEAT:

Locate the Height Adjustment Lever under the right-hand side of the seat (Fig. 6a). With the Stool unoccupied, lift up on the Lever to raise the seat to its desired height. Release the Lever when the desired height is reached.

Fig.6a- Raising the Seat



2. LOWERING THE SEAT:

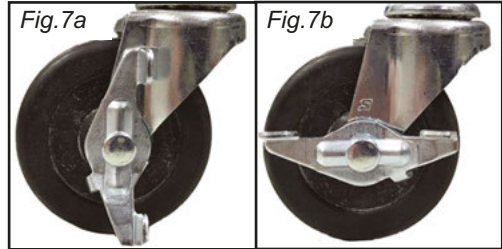
Sit on the Stool and lift up on the Height Adjustment Lever to lower the seat (Fig. 6b). Release the lever when the seat reaches the desired height.

Fig.6b- Lowering the Seat



3. LOCKING CASTERS:

Rotate the levers on the locking casters to the vertical position to lock the casters (Fig 7a). Rotate the levers to the horizontal position to unlock the casters (Fig. 7b).



IMPORTANT: Always use the Stool on a hard flat surface.

IMPORTANT: For maximum stability, the occupant's feet should be resting firmly on the floor when making height adjustments to the stool.

WARNING: Never sit on the edge of the Stool - always sit in the center of the Stool seat.

WARNING

**NEVER SIT ON THE
EDGE OF THE STOOL
SEAT - ALWAYS SIT IN
THE CENTER OF THE
SEAT.**

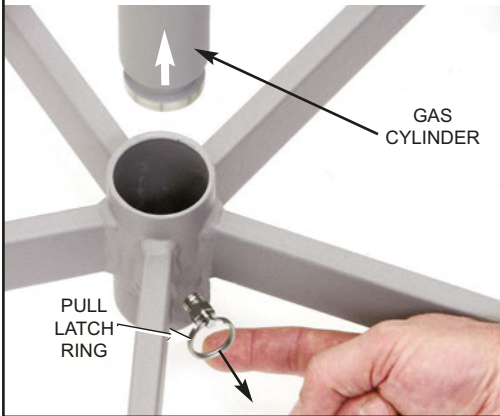


ADC-09CF / ADC-09S

DISASSEMBLY & REPACKING:

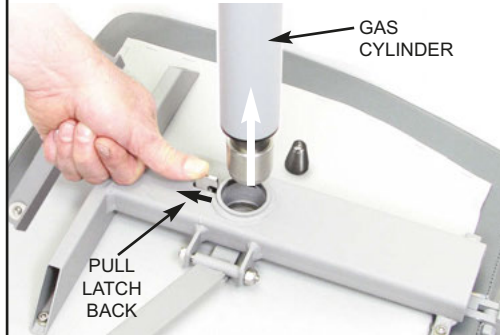
1. Lower the Seat all the way down and fold the Backrest down.
2. Pull the ring on Base Latch and lift Gas Cylinder and Seat Assembly from Base (Fig. 8).

Fig.8 - Removing Seat/Cylinder Subassembly

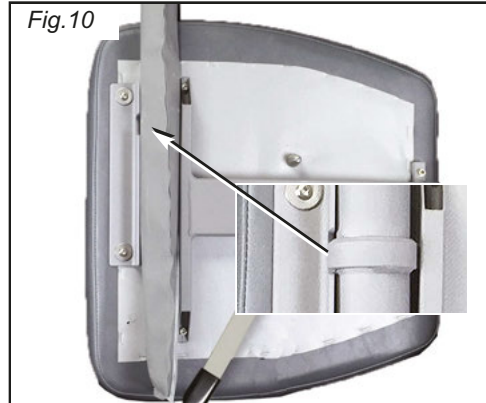


3. Turn Seat over, then pull back Seat Latch and remove Gas Cylinder from Seat (Fig. 9).

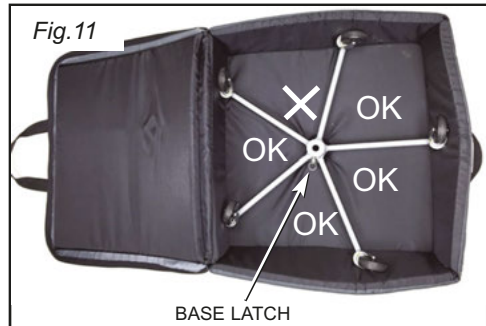
Fig.9 - Removing Cylinder



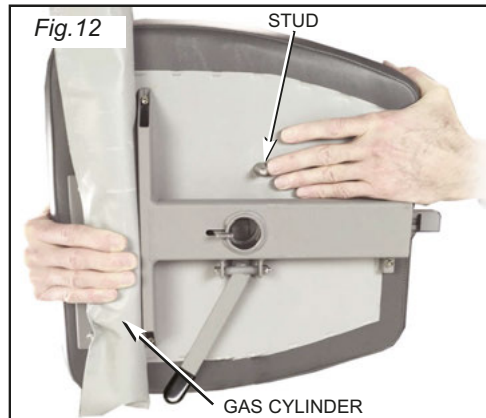
4. Insert Gas Cylinder into vinyl pouch and place Gas Cylinder into bracket on bottom of Seat. Orient the Gas Cylinder so that ring on Gas Cylinder column is held by notch in bracket (Fig. 10).



5. Place the Base in the soft case with the wheels facing up and the Base Latch oriented in any position EXCEPT the position indicated with an "X" in Figure 11, to prevent the latch from hitting the seat frame.



6. Hold the Gas Cylinder in place with one hand and locate the cone-shaped Stud with the other hand as shown in Figure 12.

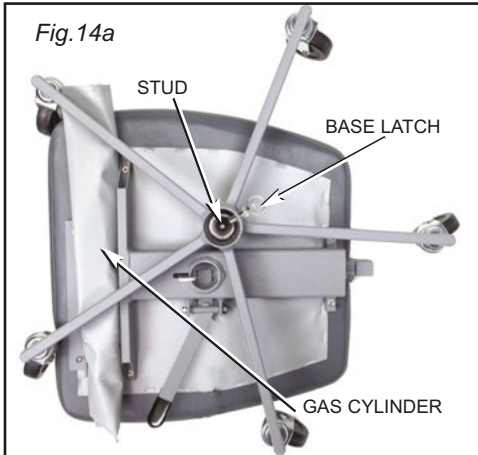


ADC-09CF / ADC-09S

7. Guide the Stud on the bottom of the seat into the hole in the middle of the Base (Fig. 13).



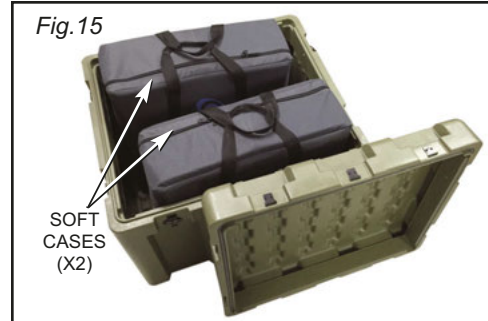
8. All the stool components should fit together in the soft case as shown in the bottom view (Fig. 14a) and top view (Fig. 14b).



9. Pull soft case closed as required to assist zipper in closing without strain. Soft bag is designed for a snug fit to hold components of Stool firmly.

ADC-09CF ONLY:

10. Pack two (2) Soft Cases into each Military Case as shown in Figure 15.



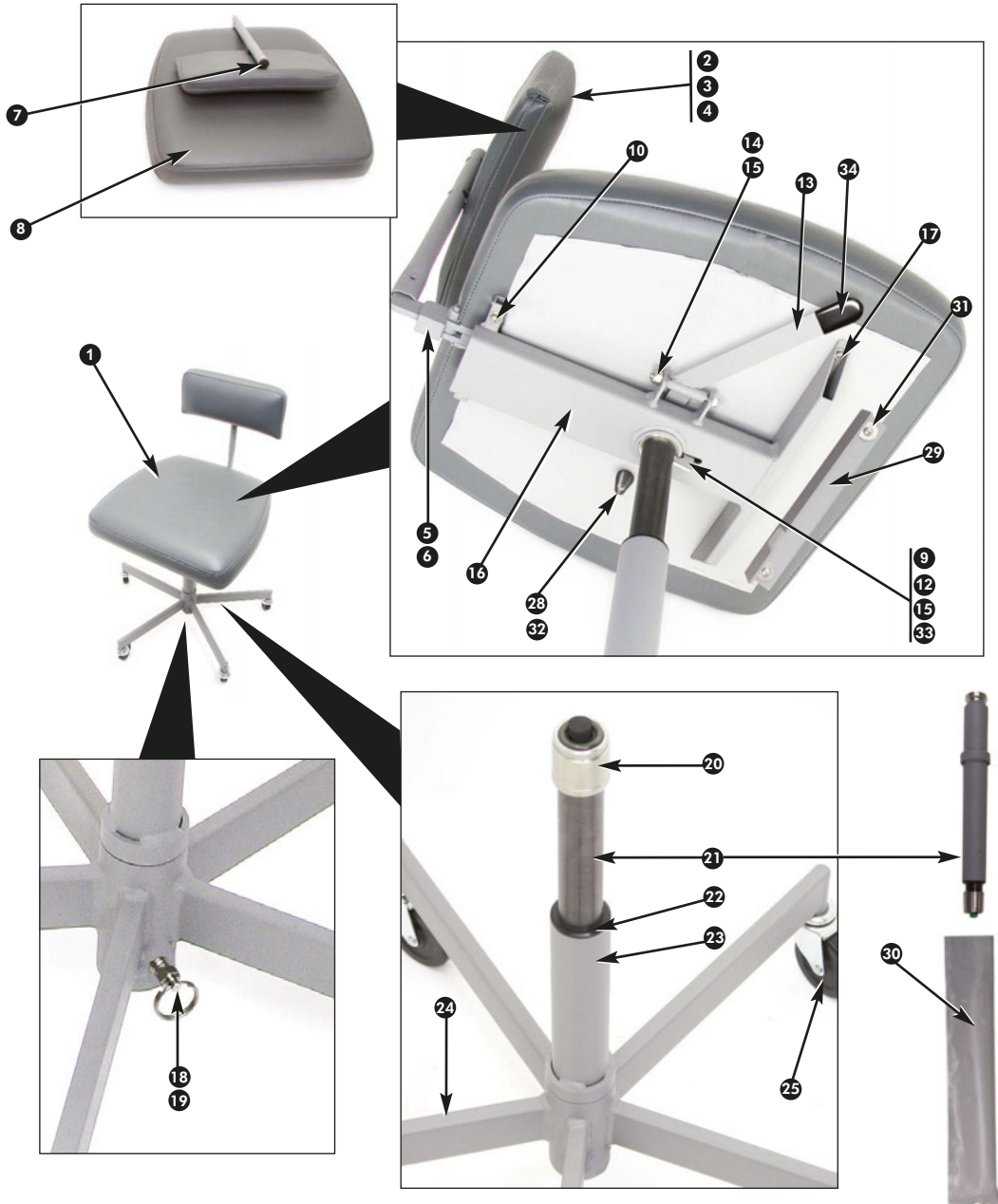
ADC-09S ONLY:

11. Repack the cardboard box as shown in Figure 16.



ADC-09CF / ADC-09S

FINAL ASSEMBLY PARTS

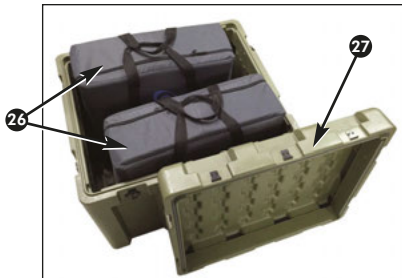


ADC-09CF / ADC-09S

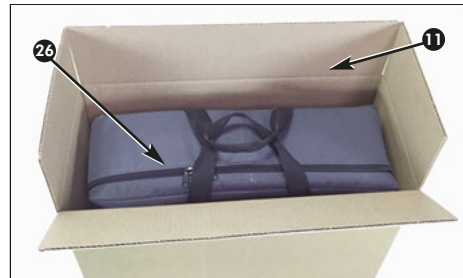
FINAL ASSEMBLY PARTS LIST

ITEM	PART NO	ADC-09CF QTY	ADC-09S QTY	
1	FINAL ASSY ADC-09 STOOL	ADC-09S	2	1
2	BACKREST CUSHION ASSY ADC-08	330074	2	1
3	C/S BTNSOC STNLS 1/4-20 X 1-1/4	510295	4	2
4	SPACER NYLON 3/4 ODX.260 IDX125	510261	4	2
5	BACK SUPPORT ASSY PNTD ADC-08	330080	2	1
6	WOODSCREW FLAHPHL #10 X 1.0L	510264	6	3
7	HOLE PLUG 3/4 NYLON BLK	510263	2	1
8	SEAT CUSHION ASSY ADC-08	330664	2	1
9	LATCH SEAT ADC-09 STOOL	462366	2	1
10	C/S SOCHD STNLS 10-32X1-1/4	510140	4	2
11	BOX SHIP 24 X 12 X 22.5 (ADC-09S only)	450207	N/A	1
12	SPRING LATCH SEAT ADC-09 STOOL	462395	2	1
13	LEVER ASSY ADC-09 STOOL	330646	2	1
14	BOLT 1/4-20 X 2-1/4	510885	2	1
15	NUT NYLOC 1/4-20 STNLS HEX	510296	4	2
16	SEAT FRAME ADC-09 STOOL	330645	2	1
17	C/S SOCHD STNLS 10-32 X 7/8	510887	4	2
18	RING SPRING LATCH	510928	2	1
19	SPACER THREADED	463533	2	1
20	SOCKET UPPER STRUT	462362	2	1
21	GAS CYLINDER OFFICE CHAIR	730730	2	1
22	BUSHING COLUMN ADC-09 STOOL	462394	2	1
23	COLUMN STOOL ASSY ADC-09	330644	2	1
24	BASE ASSY ADC-09 STOOL	330643	2	1
25	CASTER 2 1/2" HARD RUBBER	730267	6	3
25	CASTER 2 1/2" HARD RUBBER LOCKING	730747	4	2
26	CASE SOFT ADC-09 STOOL	410213	2	1
27	CASE HARD (ADC-09CF only)	410214	1	N/A
28	STUD PACKAGE	462422	2	1
29	BRACKET COLUMN STORAGE	462423	2	1
30	SLEEVE COLUMN	462484	2	1
31	C/S BRNSOC STNLS 10-32 X 7/8	510890	4	2
32	C/S BRNSOC STNLS 10-32 X 1 1/2	510891	2	1
33	C/S SOCHD STNLS 1/4-20 X 1 1/2	510817	2	1
34	ENDCAP .187 X .625 X 1.00 VINYL BLACK	510906	2	1

ADC-09CF



ADC-09S



ADC-09CF / ADC-09S

TROUBLESHOOTING:

Problem:	Correction:
Stool seat cannot be raised or lowered -OR- Stool feels sluggish or jerky when the seat is raised or lowered.	Disassemble Gas Cylinder from Stool (refer to page 6 for disassembly instructions) and inspect Cylinder for damage or excessive dirt buildup around Cylinder Piston. Replace Cylinder if necessary.
Air is leaking from the gas cylinder.	Remove and replace Gas Cylinder. Refer to Parts List, page 9 for part number and then contact Aseptico to reorder.

SYMBOL DEFINITIONS:



Consult Instructions For Use



Caution, consult accompanying documents



Manufacturer



Part Number



Authorized European Representative



Serial Number



Never Sit On The Edge Of the Stool Seat. Always Sit In The Center Of The Seat.



P.O. Box 1548 • Woodinville, WA 98072
 8333 216th Street S.E. Woodinville, WA 98072
 International (425) 487-3157 • Toll Free(800) 426-5913
www.aseptico.com • info@aseptico.com

Manufacturer



Aseptico Inc
 8333 216 St SE
 Woodinville
 WA 98072
 USA



Advena Ltd
Tower Business Centre, 2nd Flr,
Tower Street, Swatar, BKR 4013
Malta

INFORMATION CONCERNING THE ACCURACY AND PRECISION OF THIS PRODUCT MAY BE OBTAINED UPON REQUEST BY CONTACTING ASEPTICO AT THE ADDRESS SHOWN ON THIS PAGE.

ADC-09CF / ADC-09S

CLEANING & MAINTENANCE:

Clean the upholstery by wiping with a soft cloth moistened with a mild detergent. Although not recommended, bleach diluted to <10% with water can be used but must be wiped dry immediately. The use of solvents or other solutions may cause damage and void the warranty. The use of barrier covers will greatly extend the life of the chair upholstery.

SPECIFICATIONS:

ADC-09CF

Military Case Dimensions:

29.2" W x 25" L x 24" H (74.2 x 63.5 x 61 cm)

Military Case Volume: 10.5 ft³ (297 l)

Weights:

Stools (2) + Soft cases (2) + Military case:
86 lb (39.0 kg)

Stool + Soft case: 23 lb (10.4 kg)

Military case: 40 lb (18.1 kg)

ADC-09S

Soft Case Dimensions:

22" W x 22" L x 8" H (55.9 x 55.9 x 20.3 cm)

Weights:

Stool + Soft case + Cardboard box: 25 lb (11.3 kg)

Stool + Soft case: 23 lb (10.4 kg)

WARRANTY:

Aseptico warrants these products against defects in material or workmanship for a period of two (2) years, from date of original invoice. Some handpieces are warranted for one year under the same conditions. Other handpieces and expendable components, such as air turbines and light bulbs, are covered by shorter warranty periods, or have no warranty. Aseptico's sole obligation under product warranty is (at its sole option and discretion) to repair or replace any defective component or product in part or whole. Aseptico shall be the sole arbiter of such action.

In the event of alleged defect under warranty, the purchaser is to notify Aseptico's Customer Service Department promptly. Customer Service will provide instructions, usually directing that the product be returned for service. Shipment to Aseptico and the cost thereof is always the responsibility of the purchaser.

Accidental misuse, inappropriate installation, or failure to perform directed maintenance voids the warranty. Deliberately defacing, modifying, or removing the serial number voids the warranty.

Aseptico does not assume, under this warranty, any risks or liabilities arising from the clinical use of its products, whether or not such use involves coincidental utilization of products manufactured by others.

REPAIRS:

Aseptico repairs carry a ninety (90) day limited warranty against defects in material and workmanship. This warranty pertains only to the specific repair. Any new and different defect in materials or workmanship will be treated as a new repair. If the product is not covered under warranty, Aseptico offers Repair Services for a fee.



P.O. Box 1548 • Woodinville, WA 98072
8333 216th Street S.E. • Woodinville, WA 98072
(425) 487-3157 • (800) 426-5913
www.aseptico.com • info@aseptico.com

P/N: 421073
Rev. G
ECO 14684
03/2019

PRINTED IN THE USA